

SlimStile SEC
Revenue Turnstile For Internal Installation

Technical Specification

Drive:	Hand operated								
Orientation:	Pass left or Pass Right								
Materials:	<table border="0"> <tr> <td>Casework:</td> <td>304 Grade Stainless Steel (EN 10088-2 Grade 1G/2G)</td> </tr> <tr> <td>Casework Lid:</td> <td>304 Grade Stainless Steel (EN 10088-2 Grade 1G/2G)</td> </tr> <tr> <td>Tripod Hub:</td> <td>Cast aluminium with black finish</td> </tr> <tr> <td>Tripod Arms:</td> <td>38m dia. 480m 316 Grade Satin Polished Stainless Steel (EN 10088-2 Grade 1K/2K) with black plastic end caps</td> </tr> </table>	Casework:	304 Grade Stainless Steel (EN 10088-2 Grade 1G/2G)	Casework Lid:	304 Grade Stainless Steel (EN 10088-2 Grade 1G/2G)	Tripod Hub:	Cast aluminium with black finish	Tripod Arms:	38m dia. 480m 316 Grade Satin Polished Stainless Steel (EN 10088-2 Grade 1K/2K) with black plastic end caps
Casework:	304 Grade Stainless Steel (EN 10088-2 Grade 1G/2G)								
Casework Lid:	304 Grade Stainless Steel (EN 10088-2 Grade 1G/2G)								
Tripod Hub:	Cast aluminium with black finish								
Tripod Arms:	38m dia. 480m 316 Grade Satin Polished Stainless Steel (EN 10088-2 Grade 1K/2K) with black plastic end caps								



Function: Passage controlled in one direction by Coin mechanism, Other direction locked. The SEC as standard is set up as 20 pence per entry and will accept 10p and 20p coins. Using these coins the coin box will hold up to £750 pounds, when this amount is reached the unit will shut down and the red cross on the pictogram will show that the coin box requires emptying.

Mechanism: Control of the Tripod operation is achieved by an electro-mechanical head mechanism located within the top section of the turnstile casework. It is silent in rotation and comprises the following standard features:-

- A positive lock action that prevents two passages at one time.
- A self centring mechanism to ensure complete rotation of the mechanism to the home position.
- A hydraulic damper to ensure smooth operation.
- Anti backup device to prevent reverse rotation once the mechanism has moved 35° from home.

Power Failure: In the event of an emergency or isolation of the power supply, the tripod can be configured to fail-safe, i.e. rotates freely, or fail-lock i.e. locks in the home position. Either option is available in both or one direction, as standard the tripods are configured bi-directional fail-safe unless specifically requested otherwise.

Fire Alarm – Input facility available for 0V contact supplied by others to effect the fail state.

Note – mechanism fail state will be the same as power failure choice.

Interface: Potential-free contact provided for either a cardreader or pushbutton override. Cardreader inhibit and reset output signals available as standard.

Unit has an adjustable time out facility if required. i.e. Go signal will be cancelled if passage through turnstile is not completed within pre-set time i.e. 5-30 secs.

Power Supply: 115/230V AC 50/60 Hz

Power Rating: 80 VA per Walkway

Logic Voltage: 24V dc

Delivery Details: The SlimStile SEC range is delivered fully assembled and may require lifting gear for off loading.

Approximate weight 90 Kg

Product Description

The SlimStile SEC provides a compact, basic and economical tripod.

Users include

- Retail
- Public Transport
- Leisure
- Education
- Railtrack

Regulate



Display User Instructions



USE COIN
2 x 10p or 1 x 20p

STANDBY

- Insert coins as indicated in the display.
- Wait for Green Arrow to illuminate.



PRICE 0.20
CREDIT 0.20

GREEN ARROW (Authorised Use)

- Proceed through the unit.



RED CROSS (Passage Closed)

- Use alternative passageway or seek assistance

Models Available

SlimStile Electrical Coin Operated Tripod Turnstile

- Model SEC Single Walkway - electrically controlled in one direction via Coin mechanism
- Model SDEC Double Walkway- electrically controlled in one direction via Coin mechanism

Standard Accessories and Optional Extras

Customisation (Please contact Gunnebo Entrance Control Ltd for suitability and costs)

- Alternative currency or token control
- Alternative materials, finishes and custom design

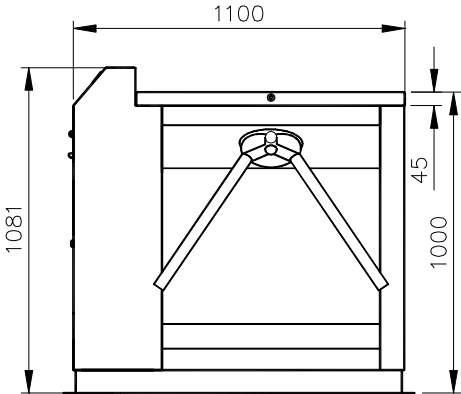
Push Button Control

- Simple remote Push Button Console to allow free passage
- Remote console to specific requirements

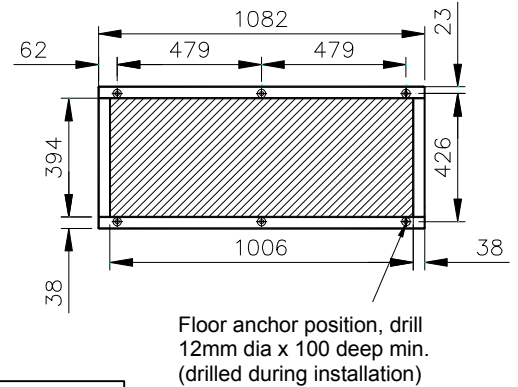
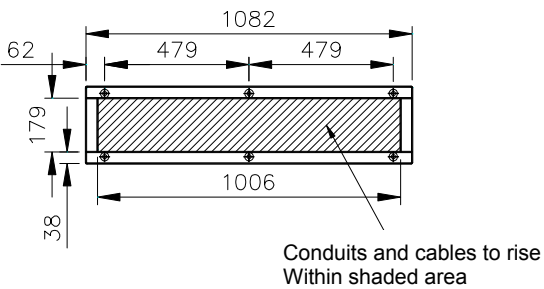
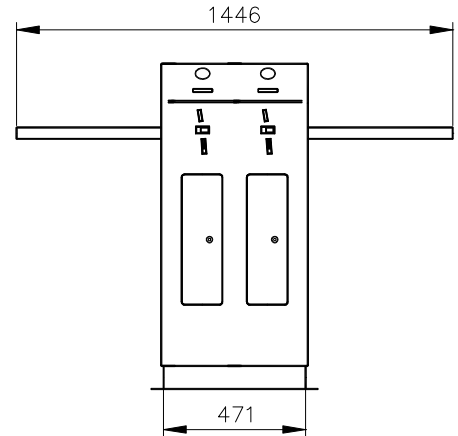
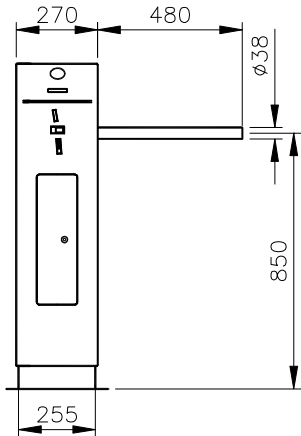
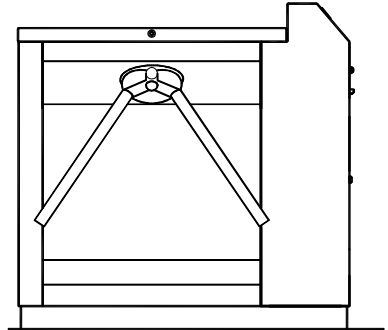


Site Preparation SlimStile SEC Range

SlimStile SEC



SlimStile SDEC



Concrete to BS 5328: 1997 specification, type ST5.
Base to be flat and level to +/-5mm over footprint area.
SEC 1400 x 500 x 150mm min
SDEC 1400 x 500 x 150mm min

IMPORTANT

- Any horizontal pipe or conduit runs below the SlimStile must be at least 140mm below FFL.

Flow Rates

Control	Number per minute
Coin Operation	20 (Max.)

- Please note the figures are approximate and must be confirmed with Gunnebo Entrance Control Ltd. Figures quoted are for one person per complete passage per walkway and per minute. It is assumed that each person uses a 20 pence coin and the price is 20 pence.



United Kingdom

Gunnebo Entrance Control Ltd. Bellbrook Business Park, Uckfield, East Sussex, TN22 1QQ.
 Tel +44 (0) 1825 761022 Fax +44 (0) 1825 763835

www.gunneboentrance.com

Note: In pursuit of its policy of continuous refinement and improvement, Gunnebo Entrance Control Ltd reserves the right to modify design and details.

A COMPANY WITHIN THE GUNNEBO GROUP

HEAD OFFICE SWEDEN

Gunnebo Entrance Control AB, 590 93 Gunnebo, Tel +46 (0) 490 890 00, Fax +46 (0) 490 23889

DENMARK Gunnebo Protection A/S
 Division Entrance Control
 Erhvervsparken 3, DK-4621 Gadstrup
 Tel +45 46 19 14 66
 Fax +45 46 19 14 55

FRANCE Gunnebo Entrance Control SARL
 Zone d'Activites Le Mandinet,
 20 Rue des Campanules
 F-77185, Lognes
 Tel +33 (0) 1 64 80 14 40
 Fax +33 (0) 1 64 80 14 39

GERMANY Gunnebo Entrance Control GmbH
 Diagonalstrasse 41, D-20537
 Hamburg
 Tel +49 (0) 40 47 11 30 0
 Fax +49 (0) 40 47 11 30 79

HONG KONG Gunnebo Entrance Control
 Room 2312, C.C. Wu Building,
 302-308 Hennessy Road, Wanchai.
 Tel +852 2882 8337
 Fax +852 2523 7880

ITALY Gunnebo Entrance Control SpA
 Via A Volta 15 - IT 38015
 Lavis (TN)
 Tel +39 0461 248 900
 Fax +39 0461 248 999

NORWAY Gunnebo Troax A/S
 Division Entrance Control
 Postboks 179, Kalbakken N-0903, Oslo
 Tel. +47 22 80 42 00
 Fax +47 22 80 42 01

SPAIN Gunnebo Entrance Control SL
 BBC, Comte d'Urgel 143, lola 08036,
 Barcelona
 Tel +34 93 452 59 56
 Fax +34 93 451 56 53

SWEDEN Gunnebo Entrance Control
 Box 500, Kumla Gardsvag 33F, 145 63
 Norsborg
 Tel +46 (0)8 53 17 15 75
 Fax +46 (0) 8 53 18 85 39

UNITED KINGDOM Gunnebo Entrance Control Ltd
 Bellbrook Business Park, Uckfield,
 East Sussex, TN22 1QQ
 Tel +44 (0) 1825 761022
 Fax +44 (0) 1825 763835

USA Gunnebo Omega Inc
 535 Getty Court, Suite F, Benicia
 California, CA 94510
 Tel +1 707 748 0885
 Fax +1 707 745 6020